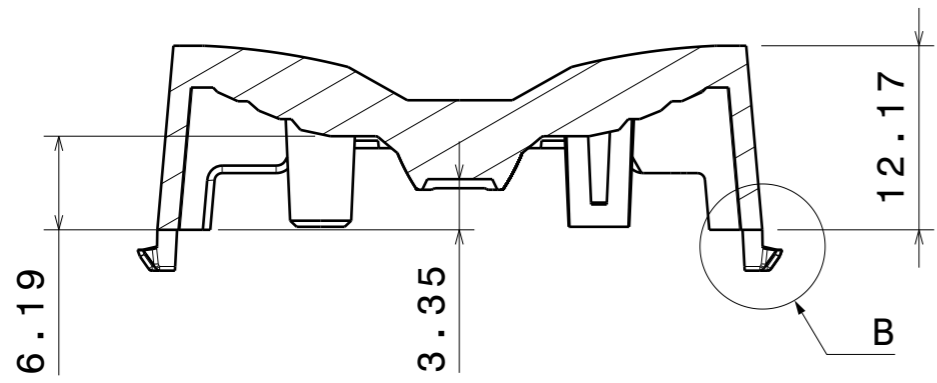
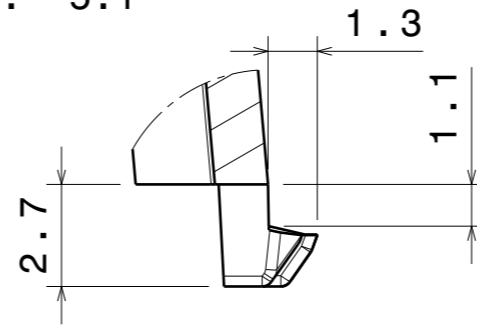


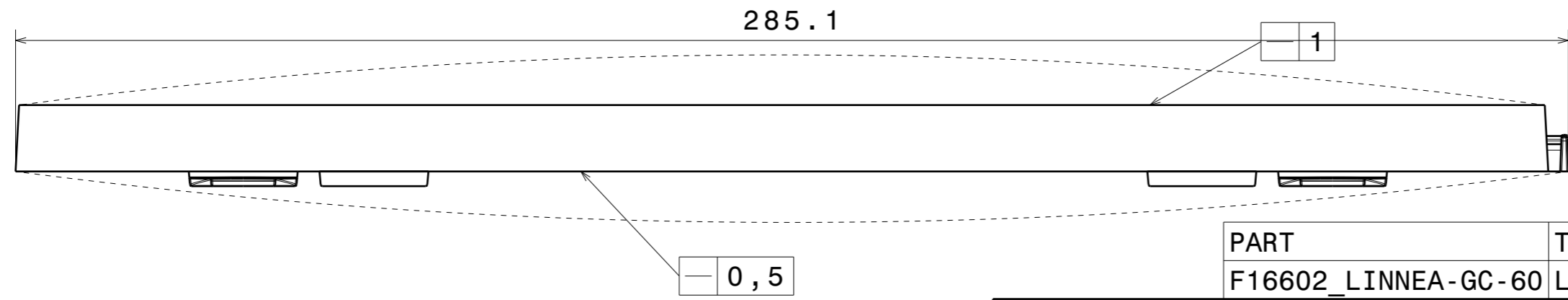
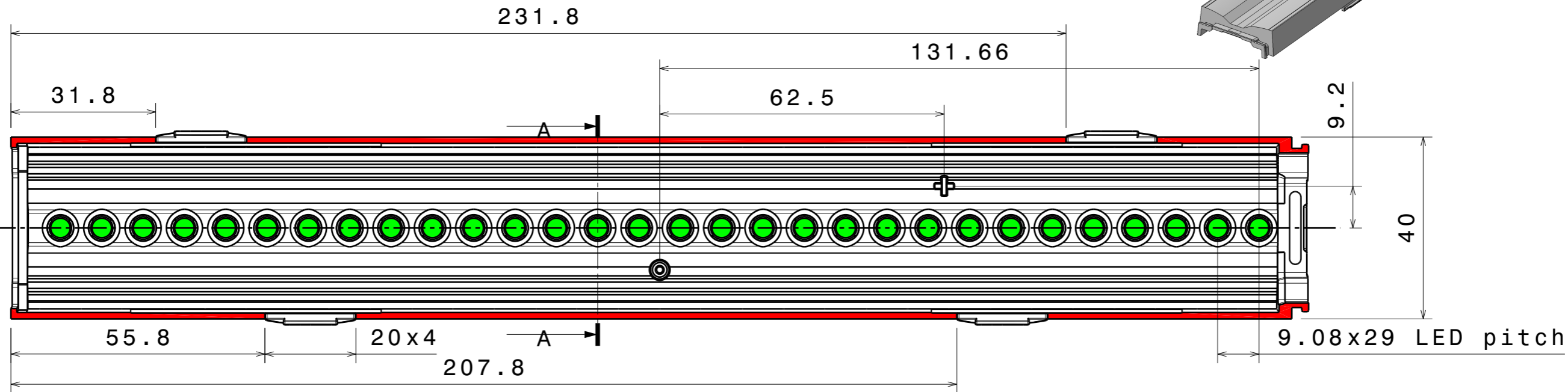
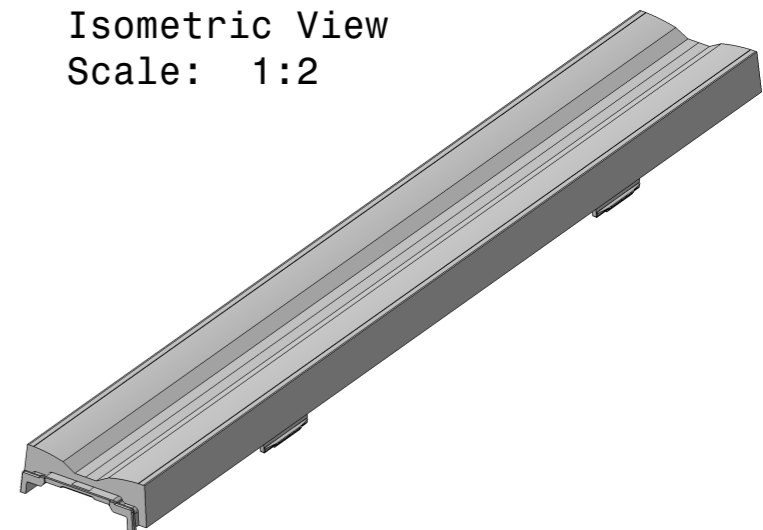
Section view A-A  
Scale: 2:1



Detail B  
Scale: 5:1



Isometric View  
Scale: 1:2



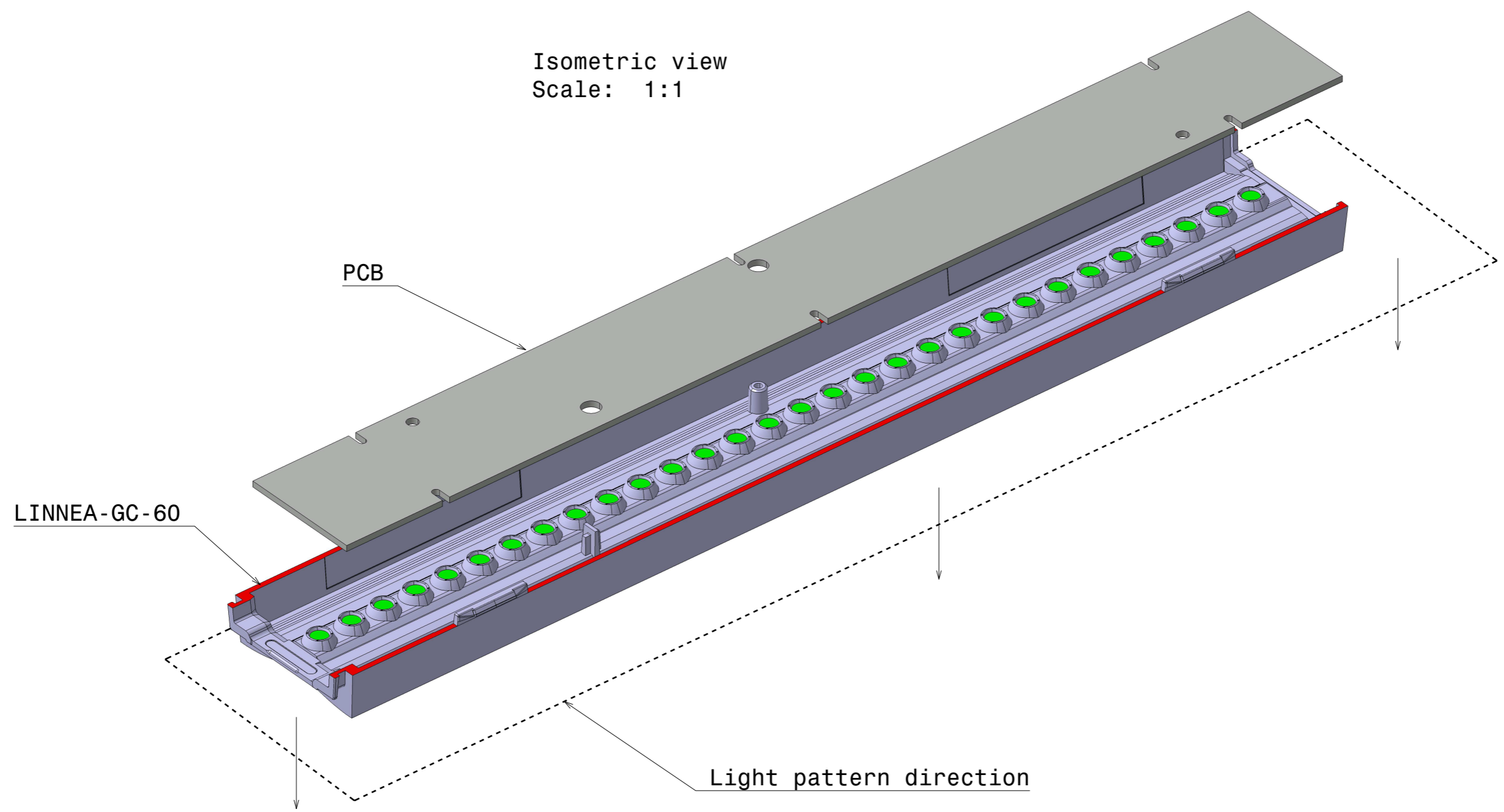
PART	TYPE	MATERIAL	COLOR / COATING
F16602_LINNEA-GC-60	LENS	PMMA	CLEAR

<b>MECHANICAL DRAWING</b>		<b>LEDiL®</b>
PRODUCT <b>LINNEA</b>		
Plastic moulding general tolerances according to DIN 16901-130 and applies if not otherwise shown in the drawing. Silicone moulding general tolerances according to ISO 3302-1 Class M3 and applies if not otherwise shown in the drawing.	FIRST ANGLE PROJECTION: 	This drawing is the property of LEDiL Oy. It may not be copied or otherwise distributed without prior written permission from LEDiL Oy.
SCALE 1:1	WEIGHT 43g	A3 SHEET 1/1

**Notes**

- PCB or heatsink level.
- LED location
- Ensure LED fitting from a product specific 3D model available from [www.ledil.com](http://www.ledil.com)
- For more details about installation please see LEDiL Installation Guide on [www.ledil.com](http://www.ledil.com)

Isometric view  
Scale: 1:1



PART	TYPE	MATERIAL	COLOR / COATING
F16602_LINNEA-GC-60	LENS	PMMA	CLEAR

<b>MECHANICAL DRAWING</b>	
PRODUCT	<b>LINNEA</b>
Plastic moulding general tolerances according to DIN 16901-130 and applies if not otherwise shown in the drawing. Silicone moulding general tolerances according to ISO 3302-1 Class M3 and applies if not otherwise shown in the drawing.	FIRST ANGLE PROJECTION: 
SCALE 1:1	WEIGHT 43g

**LEDiL<sup>®</sup>**

This drawing is the property of LEDiL Oy. It may not be copied or otherwise distributed without prior written permission from LEDiL Oy.

A3 SHEET 1/1

**Notes**

	PCB or heatsink level.
	LED location
	Ensure LED fitting from a product specific 3D model available from <a href="http://www.ledil.com">www.ledil.com</a>
	For more details about installation please see LEDiL Installation Guide on <a href="http://www.ledil.com">www.ledil.com</a>